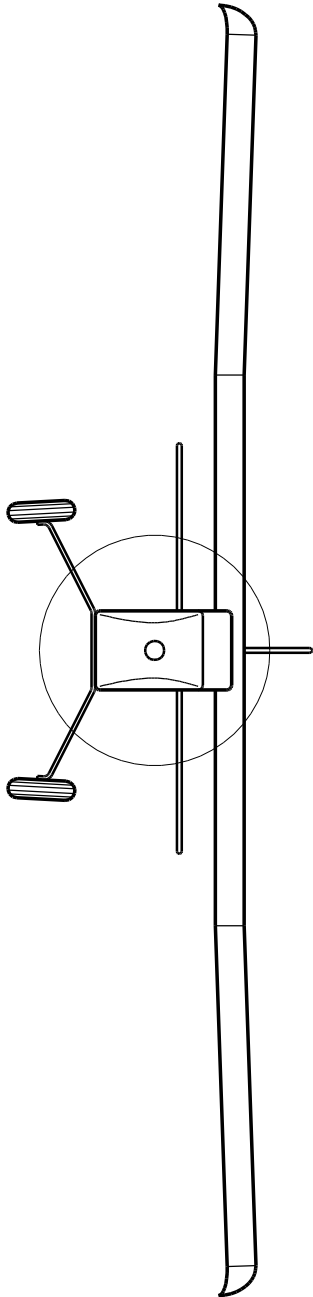


BTE SUPER FLYIN' KING WITH OPTIONAL STOL WINGTIPS



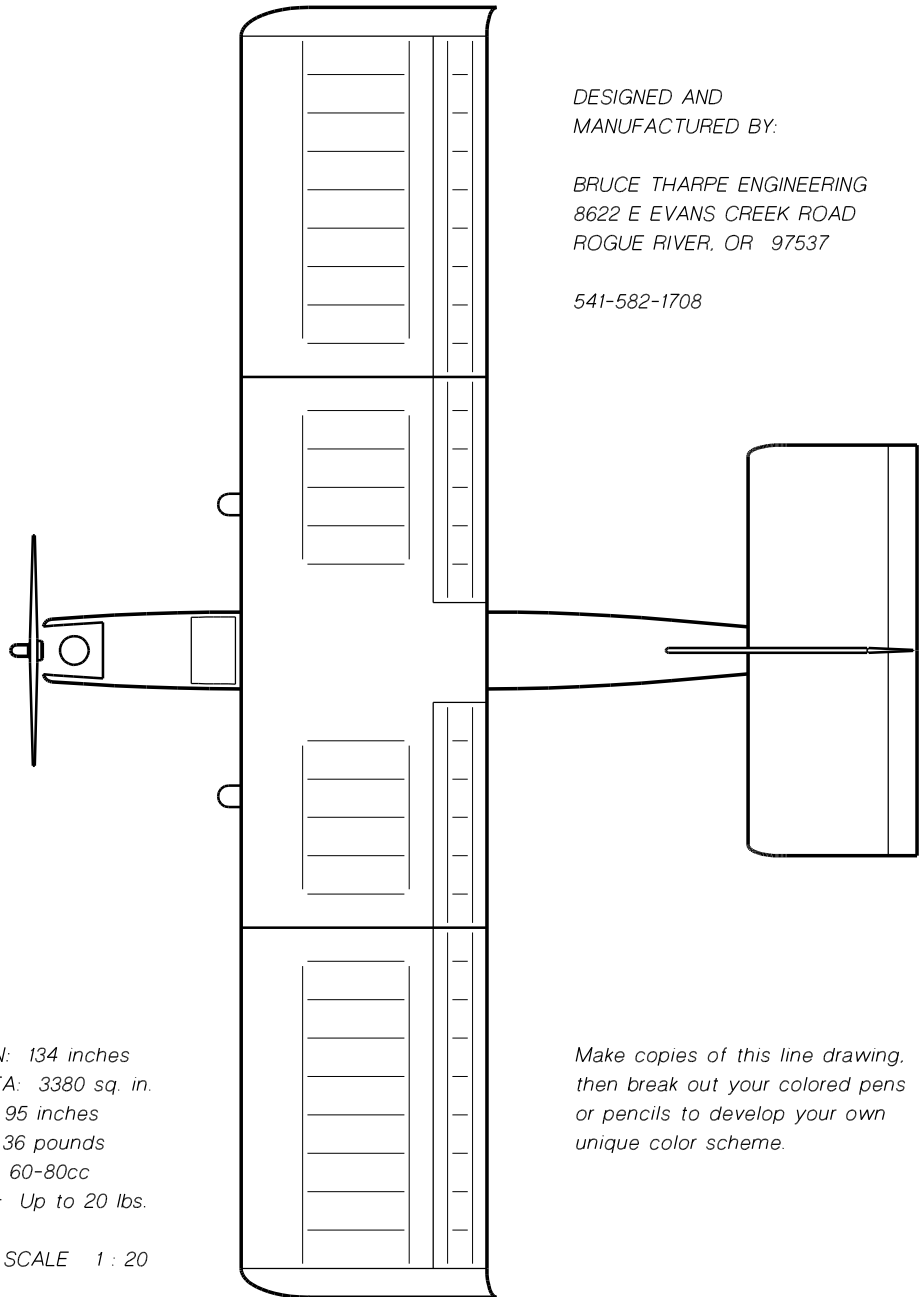
WINGSPAN: 134 inches
WING AREA: 3380 sq. in.
LENGTH: 95 inches
WEIGHT: 36 pounds
ENGINES: 60-80cc
PAYLOAD: Up to 20 lbs.

DRAWING SCALE 1 : 20

DESIGNED AND
MANUFACTURED BY:

BRUCE THARPE ENGINEERING
8622 E EVANS CREEK ROAD
ROGUE RIVER, OR 97537

541-582-1708



Make copies of this line drawing.
then break out your colored pens
or pencils to develop your own
unique color scheme.

